

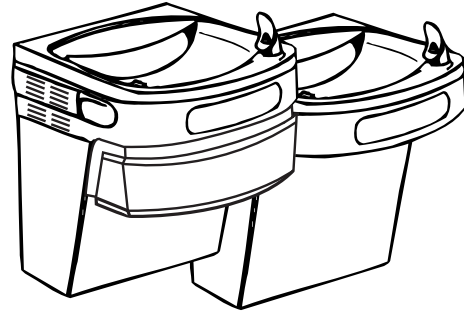
**SPECIFICATIONS**

**GENERAL**

Accessory apron designed to bring Elkay water coolers into compliance with the Americans with Disabilities Act (A.D.A.) when units are mounted on an exposed wall. This apron provides the mandatory 27" (686 mm) floor to underside requirement when mounted in this manner. Suitable for use with models LZSTL8C, LZTL8C, EZSTL8C, EZTL8C, EZSTLR8C, EZTLR8C, EZSTLDDC, EZSTLRDDC and EZOSTL8C.

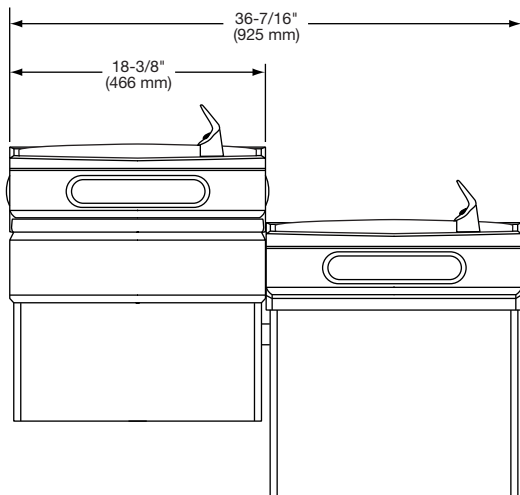
**Construction**

Thermo-formed textured ABS plastic. Available in gray only. Equipped with bottom cover plate.

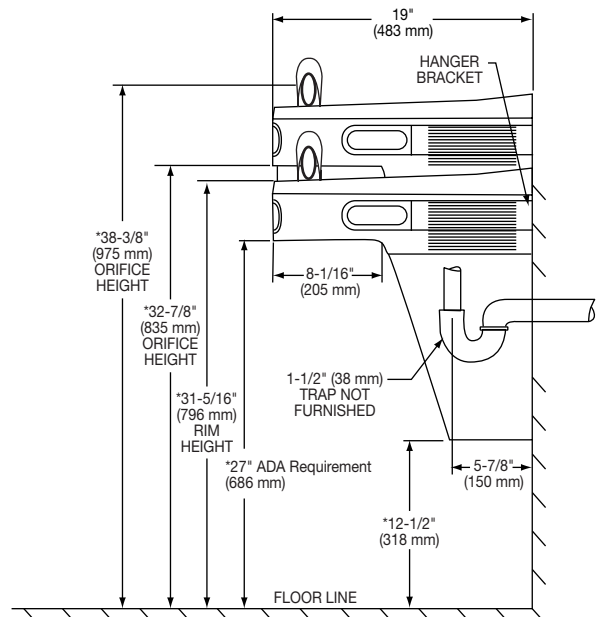


EZSTL8C – Shown with accessory apron LKAPREZL mounted.

**FRONT VIEW**



**SIDE VIEW**



EZSTL8C shown with accessory apron LKAPREZL mounted.