

IMPORTANT! ELU / ELUH Update

ELUH models have been redesigned to accommodate 1/2" reveal and no reveal installation options. ELU models should be ordered as ELUH.

GENERAL

Highest quality sink formed of #18 (1.2mm) gauge, type 304 (18-8) nickel bearing stainless steel. **Perfect Drain and e-dock.** Undermount.

DESIGN FEATURES

Bowl Depth: 7-1/2" (200mm), Overall depth: 9" (229mm) (ELU[H]2816)
10" (254mm), Overall depth: 11-1/2" (292mm) (ELU[H]281610).

Coved Corners: 1-3/4" (44mm) vertical and horizontal radius.

Finish: Exposed surfaces are hand blended to a Lustrous Highlighted Satin finish.

Underside: Fully protected by Sound Guard® undercoating to reduce condensation and dampen sound.

Perfect Drain: Seamlessly welded stainless steel collar eliminates the gap between a traditional drain and the sink for a sanitary and gap free installation.

Each sink shipped with one LKPD1 drain kit, or a garbage disposer can be installed on sink bowl for user convenience.

Patent Pending.

e-dock sinks have been designed to allow stainless steel accessories to be magnetically positioned on any of the four sidewalls of the sink.

Each e-dock sink is shipped with the stainless steel hook accessory (LKEKHOOK). Additional e-dock accessories are available.

Patent Pending

OTHER

Drain opening: 3-3/8" (86mm)

NOTE: All Elkay undermount sinks are designed to affix to the underside of any solid surface countertop.

Waste Fitting complies with ASME A112.18.2/CAN/CSA-B125.2

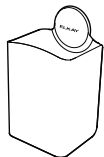
Sink complies with ASME A112.19.3/ CSA B45.4

 Sinks are listed by IAPMO® as meeting the applicable requirements of the Uniform Plumbing Code®, International Plumbing Code®, and National Plumbing Code of Canada.

e-dock ACCESSORIES*

Model Number	Description	Overall			Material
		L	W	D	
LKEKSPONGE	Sponge Holder	3-1/2 (89mm)	1-1/4 (32mm)	3-1/8 (79mm)	Stainless Steel
LKEKLEDGE	Ledge	2-5/8 (67mm)	3-1/2 (89mm)	3-7/8 (98mm)	Stainless Steel
LKEKHOOK	Hook	1-3/4 (44mm)	1-1/8 (29mm)	2-7/16 (62mm)	Stainless Steel
LKEKUTENSIL	Utensil Holder	3 (76mm)	2-1/2 (51mm)	5-3/8 (137mm)	Stainless Steel
LKDEK35	Disposal Cover	2-11/16 (68mm)	2-11/16 (68mm)	1-1/4 (32mm)	Stainless Steel

*Furnished with magnet (LKEKMAGNET)



LKEKSPONGE

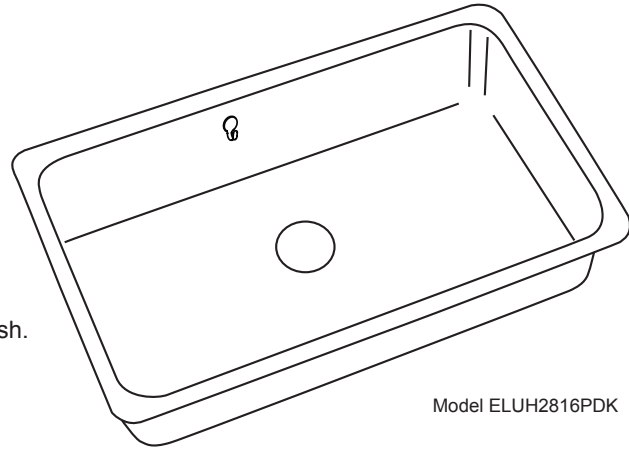
LKEKLEDGE

LKEKHOOK

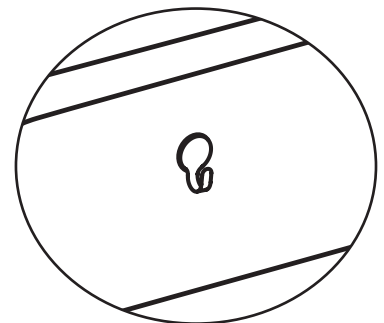
LKEKUTENSIL

LKDEK35

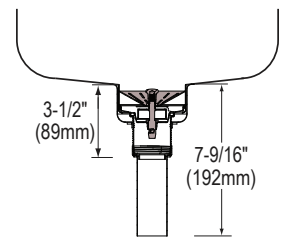
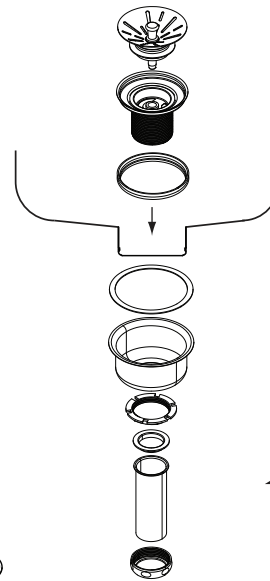
Warning: This product contains magnets. Keep away from credit cards, computer hard drives, magnetic I.D. cards, and other magnetic media. Magnets may interfere with medical devices such as pacemakers. Consult your physician before use. Pinch hazard - magnets can jump out of your hands and snap together from a surprising distance before you realize what's happening.



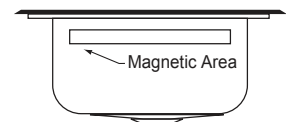
Model ELUH2816PDK



Included



Sink with Drain Kit Installed



All four sides of sink

OPTIONAL ACCESSORIES

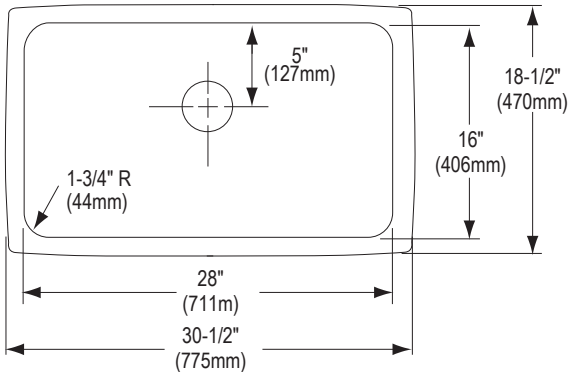
Bottom Grid: LKWOBG2816SS
 Cutting Boards: CB1713, CBS1316 (ELUH models only)
 Rinsing Baskets: LKWRB2816SS, LKWERBSS
 Utensil Caddy for Rinsing Baskets: LKWUCSS
 Mounting Hardware: LKUCLIP8 (2 packages required)

SINK DIMENSIONS*

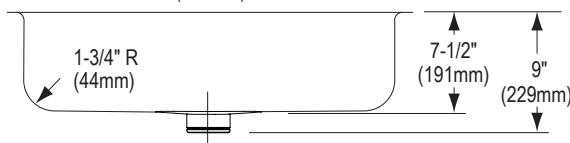
Model Number	Overall			Inside Each Bowl			Cutout in Countertop	Minimum Cabinet Size
	L	W	D	L	W	D		
ELUH2816PDK	30-1/2 (775mm)	18-1/2 (470mm)	9 (229mm)	28 (711mm)	16 (406mm)	7-1/2 (191mm)	See Template**	36 (914mm)
ELUH281610PDK	30-1/2 (775mm)	18-1/2 (470mm)	11-1/2 (292mm)	28 (711mm)	16 (406mm)	10 (254mm)		36 (914mm)

*Length is left to right. Width is front to back.

**Template #1000001414 is packed with every sink.



Model ELUH2816PDK Illustrated



Model ELUH281610PDK Illustrated

in sink erator®

Elkay® Perfect Drain™ sinks are designed and approved for compatible disposers manufactured by InSinkErator® utilizing the Quick Lock® mounting configuration. Use of non-approved disposers may void Elkay warranty.

InSinkErator, Quick Lock and the mounting collar configuration are trademarks of Emerson Electric Co.



Installation Profile

