

# ELKAY<sup>®</sup>

## SPECIFICATIONS

### Gourmet e-dock™ Undermount Sink Model ELUH2816EK Series

#### IMPORTANT! ELU / ELUH Update

ELUH models have been redesigned to accommodate 1/2" reveal and no reveal installation options. ELU models should be ordered as ELUH.

#### GENERAL

Highest quality sink formed of #18 (1.2mm) gauge, type 304 (18-8) nickel bearing stainless steel with e-dock. Undermount.

#### DESIGN FEATURES

Bowl Depth: 7-1/2" (200mm) ELUH2816EK, 10" (254mm) ELUH281610EK

Coved Corners: 1-3/4" (44mm) vertical and horizontal radius.

Finish: Exposed surfaces are hand blended to a Lustrous Highlighted Satin finish.

Underside: Fully protected by Sound Guard<sup>®</sup> undercoating to reduce condensation and dampen sound.

e-dock sinks have been designed to allow stainless steel accessories to be magnetically positioned on any of the four sidewalls of the sink. Each e-dock sink is shipped with the stainless steel hook accessory (LKEKHOOK). Additional e-dock accessories are available.

#### Patent Pending

#### OTHER

Drain opening: 3-1/2" (89mm)

NOTE: All Elkay undermount sinks are designed to affix to the underside of any solid surface countertop.

Sink complies with ASME A112.19.3/ CSA B45.4

 Sinks are listed by IAPMO<sup>®</sup> as meeting the applicable requirements of the Uniform Plumbing Code<sup>®</sup>, International Plumbing Code<sup>®</sup>, and National Plumbing Code of Canada.

#### OPTIONAL ACCESSORIES

Bottom Grid: LKWOBG2816SS

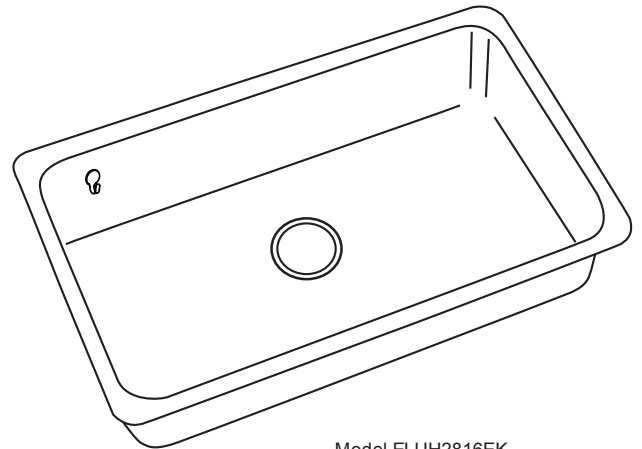
Cutting Boards: (Reveal mount only) CB1713, CBS1316

Drain: LK99

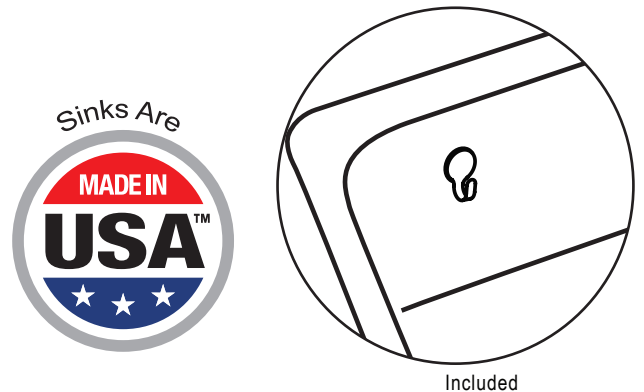
Rinsing Baskets: LKWRB2816SS, LKWERBSS

Utensil Caddy for Rinsing Baskets: LKWUCSS

Mounting Hardware: LKUCLIP8 (2 packages required)



Model ELUH2816EK



Included

#### e-dock ACCESSORIES\*

Model Number	Description	Overall			Material
		L	W	D	
LKEKSPONGE	Sponge Holder	3-1/2 (89mm)	1-1/4 (32mm)	3-1/8 (79mm)	Stainless Steel
LKEKLEDGE	Ledge	2-5/8 (67mm)	3-1/2 (89mm)	3-7/8 (98mm)	Stainless Steel
LKEKHOOK	Hook	1-3/4 (44mm)	1-1/8 (29mm)	2-7/16 (62mm)	Stainless Steel
LKEKUTENSIL	Utensil Holder	3 (76mm)	2-1/2 (51mm)	5-3/8 (137mm)	Stainless Steel
LKDEK35	Disposal Cover	2-11/16 (68mm)	2-11/16 (68mm)	1-1/4 (32mm)	Stainless Steel

\*Furnished with magnet (LKEKMAGNET)



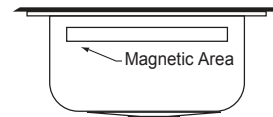
LKEKSPONGE

LKEKLEDGE

LKEKHOOK

LKEKUTENSIL

LKDEK35



All four sides of sink

Warning: This product contains magnets. Keep away from credit cards, computer hard drives, magnetic I.D. cards, and other magnetic media. Magnets may interfere with medical devices such as pacemakers. Consult your physician before use. Pinch hazard - magnets can jump out of your hands and snap together from a surprising distance before you realize what's happening.

In keeping with our policy of continuing product improvement, Elkay reserves the right to change product specifications without notice. Please visit [elkay.com](http://elkay.com) for the most current version of Elkay product specification sheets.

This specification describes an Elkay product with design, quality, and functional benefits to the user. When making a comparison of other producers' offerings, be certain these features are not overlooked.

# ELKAY<sup>®</sup>

## SPECIFICATIONS

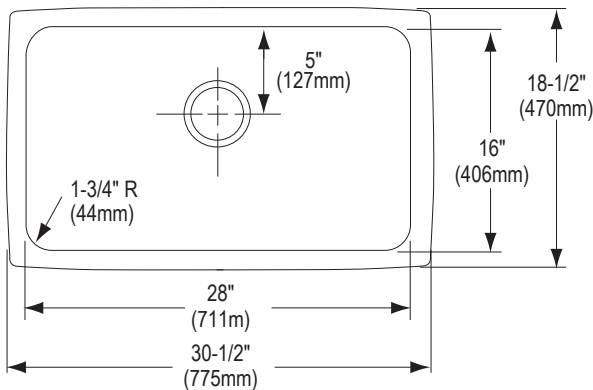
### Gourmet e-dock™ Undermount Sink Model ELUH2816EK Series

#### SINK DIMENSIONS\*

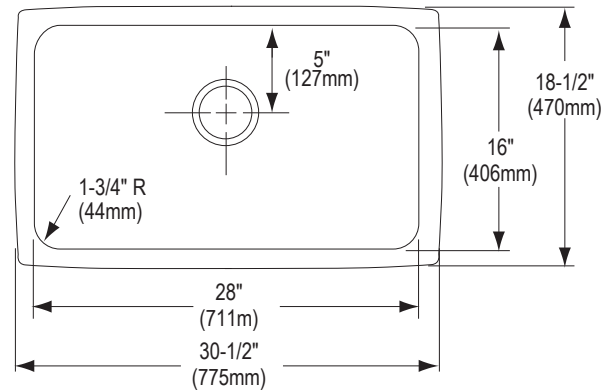
Model Number	Overall		Inside Each Bowl			Cutout in Countertop	Minimum Cabinet Size
	L	W	L	W	D		
ELUH2816EK	30-1/2 (775mm)	18-1/2 (470mm)	28 (711mm)	16 (406mm)	7-1/2 (191mm)	See Template**	36 (914mm)
ELUH281610EK	30-1/2 (775mm)	18-1/2 (470mm)	28 (711mm)	16 (406mm)	10 (254mm)		36 (914mm)

\*Length is left to right. Width is front to back.

\*\*Template #1000001414 is packed with every sink.

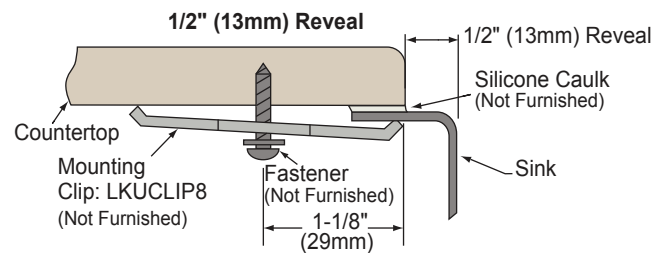
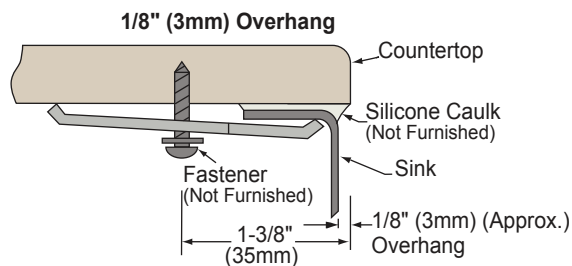


Model ELUH2816EK Illustrated



Model ELUH281610EK Illustrated

#### Installation Profile



In keeping with our policy of continuing product improvement, Elkay reserves the right to change product specifications without notice. Please visit [elkay.com](http://elkay.com) for the most current version of Elkay product specification sheets.

This specification describes an Elkay product with design, quality, and functional benefits to the user. When making a comparison of other producers' offerings, be certain these features are not overlooked.