

# ELKAY<sup>®</sup>

## SPECIFICATIONS

### Elkay Specialty Collection™ Universal Mount Sinks Model SCF1611 Series

#### GENERAL

High quality single bowl sink is formed of type 304 (18-8) nickel bearing stainless steel material.  
Universal mount sink can be installed as a drop-in or undermount.

**SCF1611SH** stainless steel with hammered mirror finish

#### DESIGN FEATURES

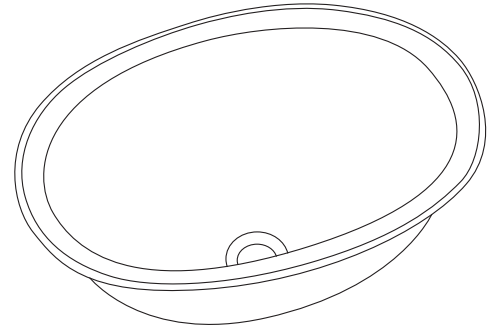
Bowl Depth: 6-1/2" (165mm).  
Underside: Fully undercoated to reduce condensation and dampen sound.  
Fastening Method: For drop-in application, utilize clips and attach to threaded stud (see illustration "A" below). For undermount application, utilize undermount clips (see illustration "B" below) – fasteners are not supplied.

#### OTHER

Drain Opening: 1-1/2" (38mm).  
Sink includes overflow assembly with matching face plate.  
Sink complies with ASME A112.19.3-2008 / CSA B45.4-08.



These sinks are listed by the International Association of Plumbing and Mechanical Officials as meeting the requirements of the Uniform Plumbing Code and the National Plumbing Code of Canada.



Model SCF1611

ILLUSTRATION A  
Installation Profile for Drop-in Application

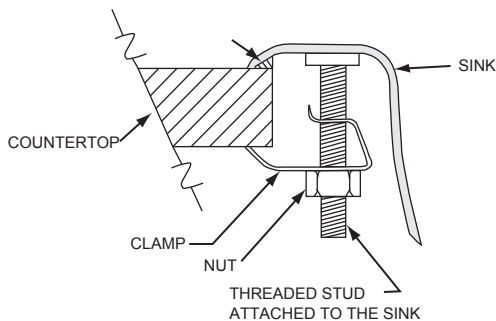
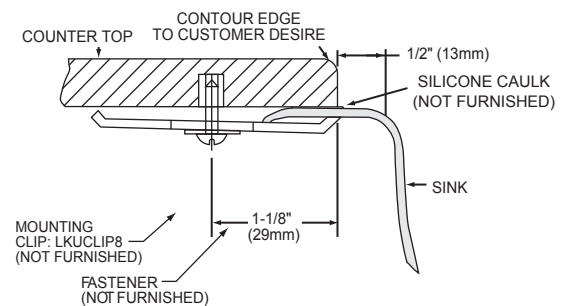


ILLUSTRATION B  
Installation Profile for Undermount Application  
The template provided with each sink provides the only type of undermount installation recommended by Elkay.



SEE OTHER SIDE FOR PRODUCT DIMENSIONS.

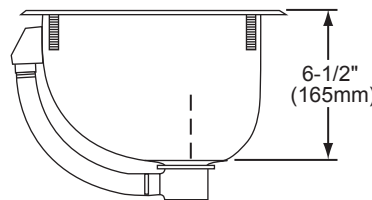
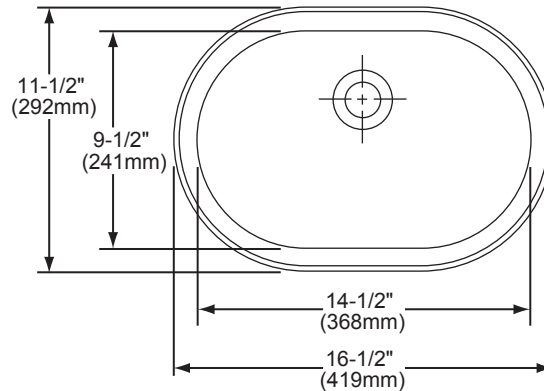
*In keeping with our policy of continuing product improvement, Elkay reserves the right to change product specifications without notice. Please visit [elkayusa.com](http://elkayusa.com) for most current version of Elkay product specification sheets.*

*This specification describes an Elkay product with design, quality and functional benefits to the user. When making a comparison of other producers' offerings, be certain these features are not overlooked.*

**SINK DIMENSIONS\***

Model Number	Overall		Inside Bowl			Cutout in Countertop	Minimum Cabinet Size
	L	W	L	W	D		
SCF1611SH	16-1/2 (419mm)	11-1/2 (292mm)	14½ (368mm)	9½ (241mm)	6½ (165mm)	See Template for undermount application. For drop-in application use sink upside down as template and cut 5/16 (8mm) INSIDE sink line.	21 (533mm)

\*Length is left to right. Width is front to back



Model SCF1611

*In keeping with our policy of continuing product improvement, Elkay reserves the right to change product specifications without notice. Please visit [elkayusa.com](http://elkayusa.com) for most current version of Elkay product specification sheets.*

*This specification describes an Elkay product with design, quality and functional benefits to the user. When making a comparison of other producers' offerings, be certain these features are not overlooked.*